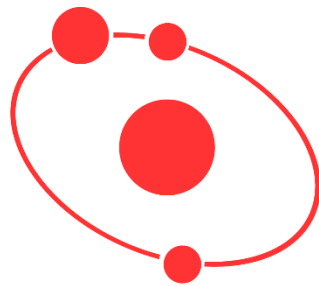


AMPERE  **EV**



ATOM
DRIVE SYSTEM

Ampere EV 3 Module Battery Pack

Ampere EV



CONTENTS

Main Features	3
Dimensions.....	4
Wiring Pinouts.....	5
Battery Module A.....	6
Battery Module B.....	6
Battery Module C.....	7



Main Features

The Ampere EV Atom Drive System is designed to work the first time, every time. To help maintain this to be true, the Atom Drive System utilizes our own battery modules. Our battery modules are designed and manufactured in house to ensure all work as intended. With a nominal voltage of 358 VDC these batteries provide a reliable and powerful solution for electric vehicles.



Main Features

Integrated Battery Monitoring System

Integrated Cooling Plate

High Voltage Interlock

Coolant Temperature Monitoring

High Voltage Isolation Monitoring

High Density Cell Temperature Monitoring

UL-94 V0 rated materials

TouchSafe™ Connection System

Main Specifications

Capacity 41.5 kWh

Nominal Voltage 358 VDC

Peak Discharge 928 A

Sustained Discharge 140 A (20°C - 40°C)

Sustained Charge 140 A (20°C - 45°C)

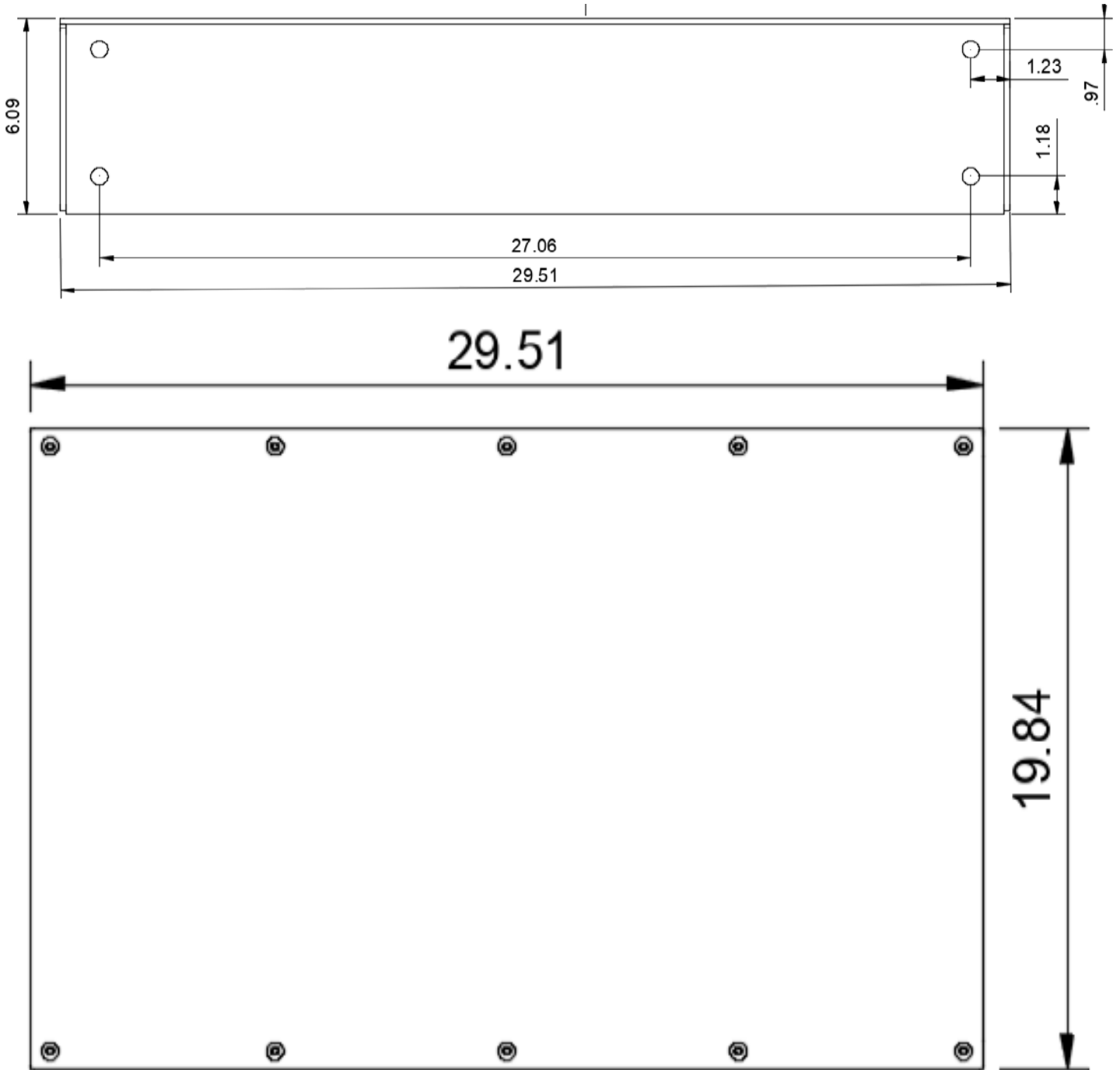
Cell Temperature Range -20°C - 55°C

Coolant Medium 50% E.G. / 50% Water

Weight 182lbs per module (82.5kg)



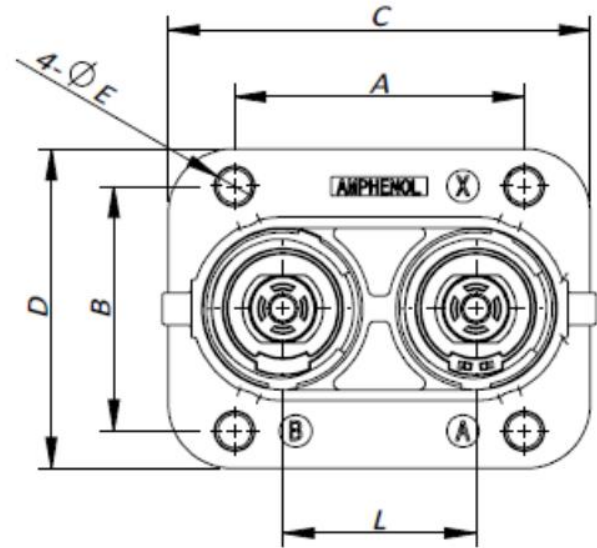
Dimensions





Wiring Pinouts

High Voltage cables use the same pinning for each battery module



High Voltage

A	HV +
B	HV -

Low Voltage Pinouts





Battery Module A

PIN	LABEL	COLOR	DESCRIPTION
01	W134G14B10	Red	BMS Const 12V
02		Black	BMS GND
03	CAN8	Yellow	BMS CAN 0 hi
04	CAN8	Green	BMS CAN 1 lo
05	W42G14B10	Light Green	BMS Fault
06	W133G14B10	Pink	BMS MPR 12V
07		Yellow	BMS CAN 1 hi
08		Green	BMS CAN 1 lo
09			
10			
11			
12			

Battery Module B

PIN	LABEL	COLOR	DESCRIPTION
01	W134G14B10	Red	BMS Const 12V
02		Black	BMS GND
03			
04			
05	W42G14B10	Light Green	BMS Fault
06	W133G14B10	Pink	BMS MPR 12V
07		Yellow	BMS CAN 1 hi
08		Green	BMS CAN 1 lo
09			
10			
11			
12			



Battery Module C

PIN	LABEL	COLOR	DESCRIPTION
01	W134G14B10	Red	BMS Const 12V
02		Black	BMS GND
03			
04			
05	W42G14B10	Light Green	BMS Fault
06	W133G14B10	Pink	BMS MPR 12V
07		Yellow	BMS CAN 1 hi
08		Green	BMS CAN 1 lo
09			
10			
11			
12			