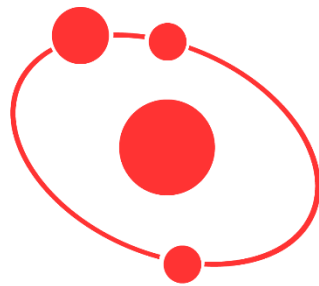


AMPERE  **EV**



ATOM
DRIVE SYSTEM

Battery Water Pump Datasheet

Ampere EV 2022



CONTENTS

Introduction.....	3
Key Features	3
Dimensions	4
Front Dimension	4
Top Dimension.....	5



Introduction

The Ampere EV Atom Drive System is designed to work the first time, every time. To help maintain this to be true, the Atom Drive System utilizes a CANBus controlled water pump to cool the batteries. This component was chosen for its supreme efficiency and light weight design, providing maximum output flow, for all the Atom Drive System's needs.



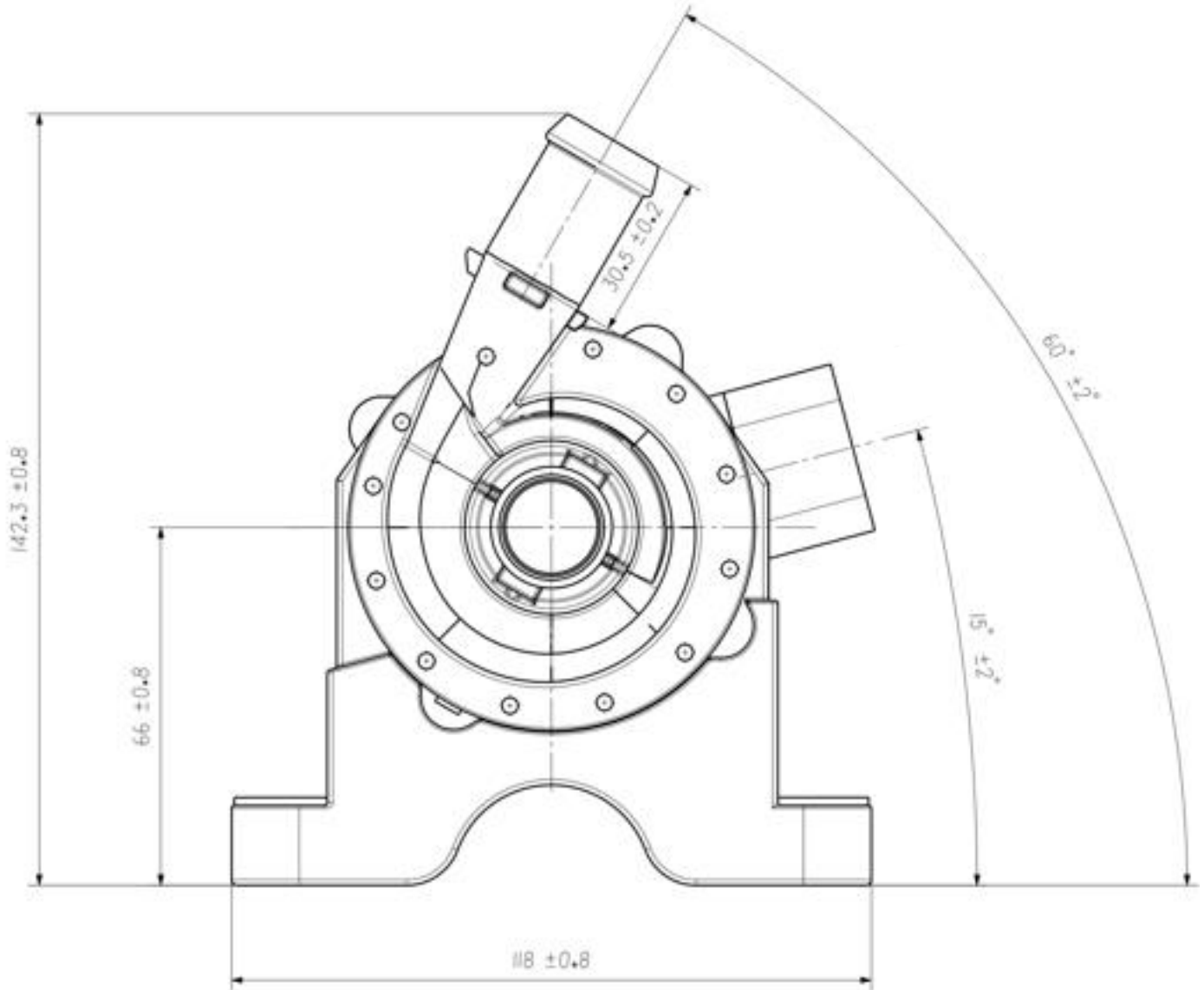
Key Features

Rated Voltage	12 VDC
Working Voltage Range	9-18 VDC
Rated Power	100W
Rated Flow	2000 L/hr
Rated Current	7.5A
Max Lift	8.5m
Protection Level	IP67



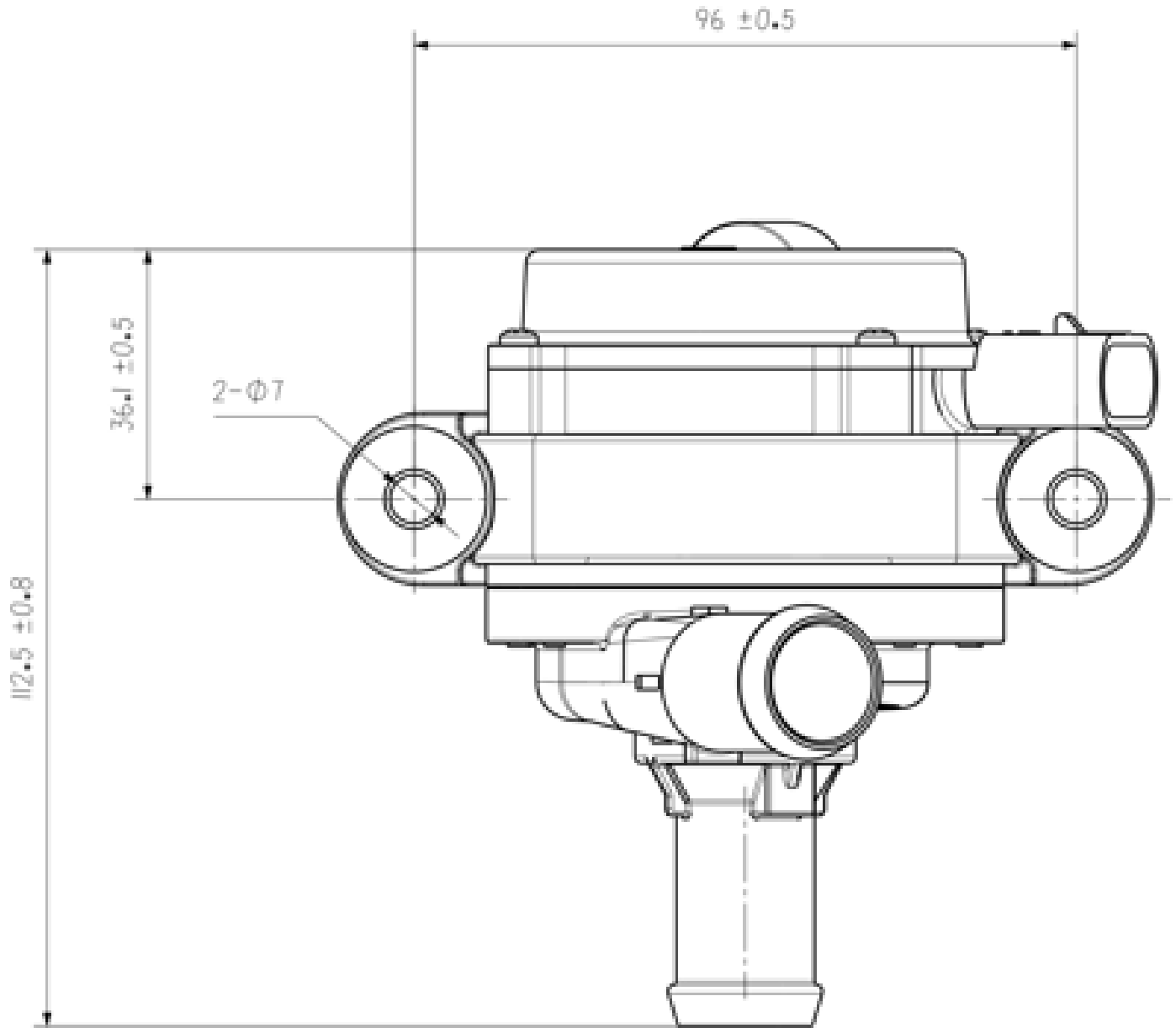
Dimensions

Front Dimension





Top Dimension





Pinout



PIN	LABEL	COLOR	DESCRIPTION
01		Black	Battery Pump GND
02	CAN7	Yellow	Battery Pump CAN hi
03	CAN7	Green	Battery Pump CAN lo
04	W140G34B6	Pink	Battery Pump 12V