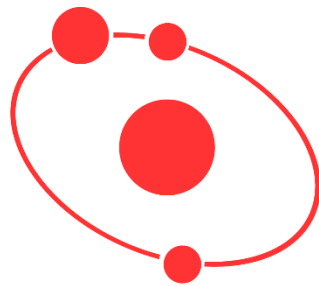


AMPERE  **EV**



ATOM
DRIVE SYSTEM

AC Compressor Datasheet

Ampere EV 2022©

Rev 1.1 April 5th, 2023



CONTENTS

Introduction.....	3
Key Features	3
Dimensions	4
High Voltage Wiring Pinout	5
Low Voltage Wiring Pinout.....	6



Introduction

The Ampere EV Atom Drive System is designed to work the first time, every time. To help maintain this to be true, the Atom Drive System uses a high voltage AC compressor. This is a DC powered, multi-stage compressor. This compressor was chosen as a lightweight and powerful solution to passenger compartment cooling of the Atom Drive System.

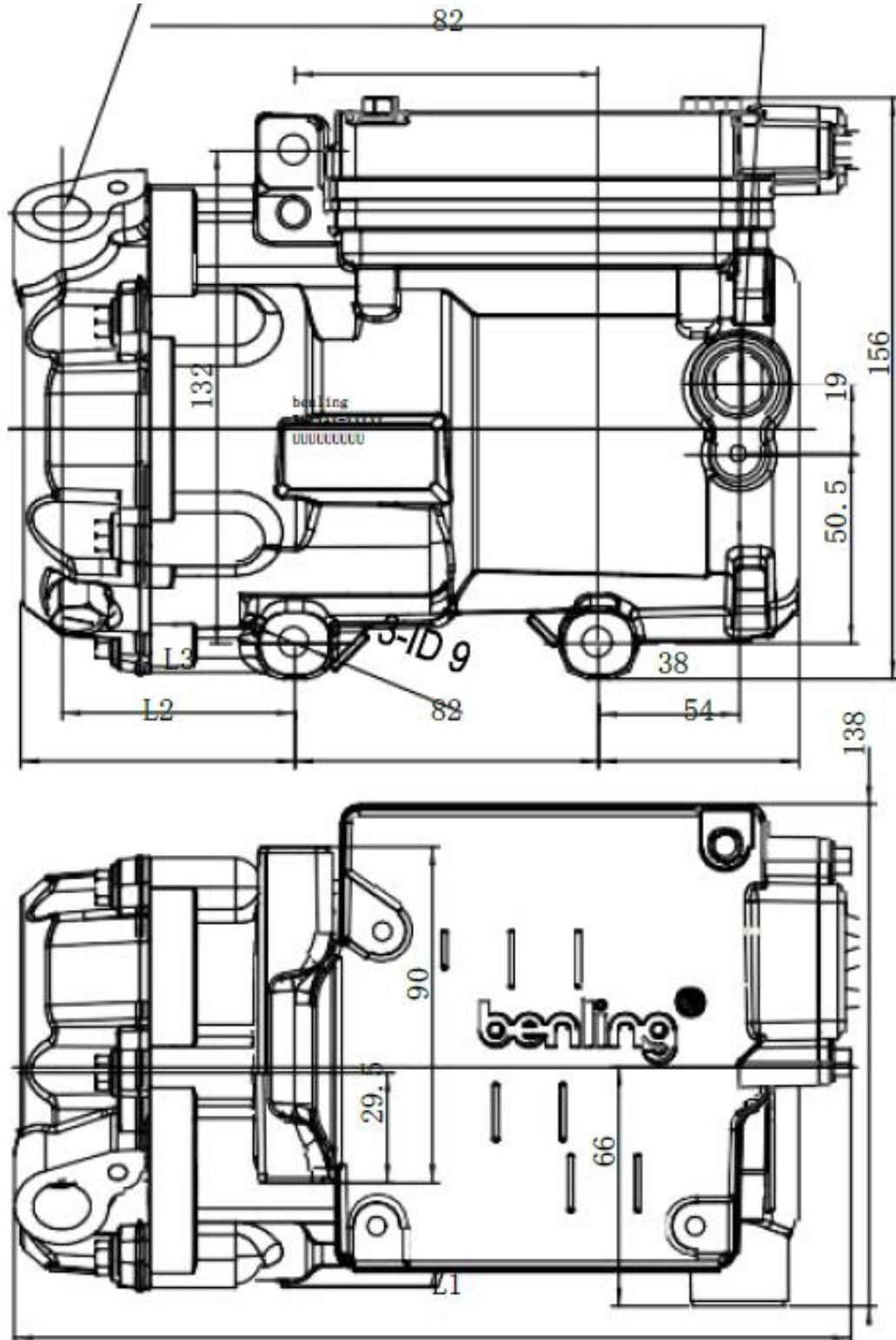


Key Features

Speed Range	1000rpm – 6000rpm
Max Input Power	3.70 kW
Max Current	7.4 A
Max Refrigerating capacity	15700 BTU/ Hr
Undervoltage Protection	220 V
Overvoltage Protection	420 V



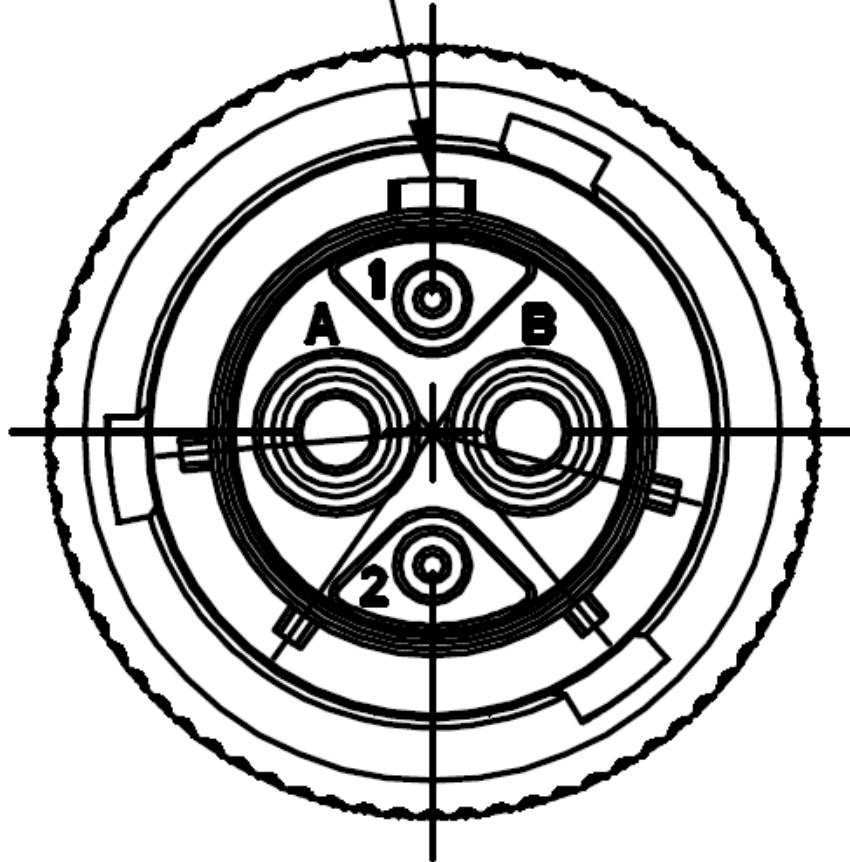
Dimensions





High Voltage Wiring Pinout

MASTER KEYWAY



PIN NO.	NAME
A	312V DC+
B	312V DC-



Low Voltage Wiring Pinout



PIN	LABEL	COLOR	DESCRIPTION
01			CAN L
02			CAN H
03			12V DC -
04			Reserved
05			Reserved
06			12V DC +