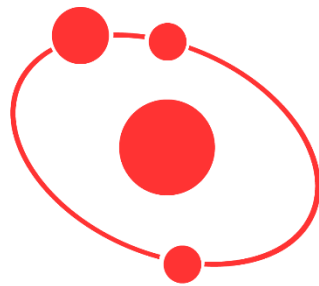


**AMPERE**  **EV**



**ATOM**  
DRIVE SYSTEM

Maverick 25 Datasheet

Version 1.0



# CONTENTS

---

Main Features.....	3
Front Dimension.....	4
Rear Dimension.....	5
Left Dimension.....	6
Top Dimension.....	7
REVISION HISTORY.....	8



## Main Features

The Maverick 25 is a power-dense 3-in-1 drive unit. It integrates an inverter, motor, and differential into a single package that is perfect for powering either the front or rear axle of a vehicle. This unit is both cost effective and high performance.



### Main Features

460VDC Maximum voltage

3-Phase Permanent Magnet Electric Motor

Integrated Differential

Fully Integrated Drive Unit

High Power Density

### Main Specifications

**Peak Torque** 520 Nm (4310Nm Axle)

**Peak Power** 255 kW

**Continuous Power** 100 kW

**Maximum Speed** 16000 rpm

**Reduction Gear Ratio** 8.286

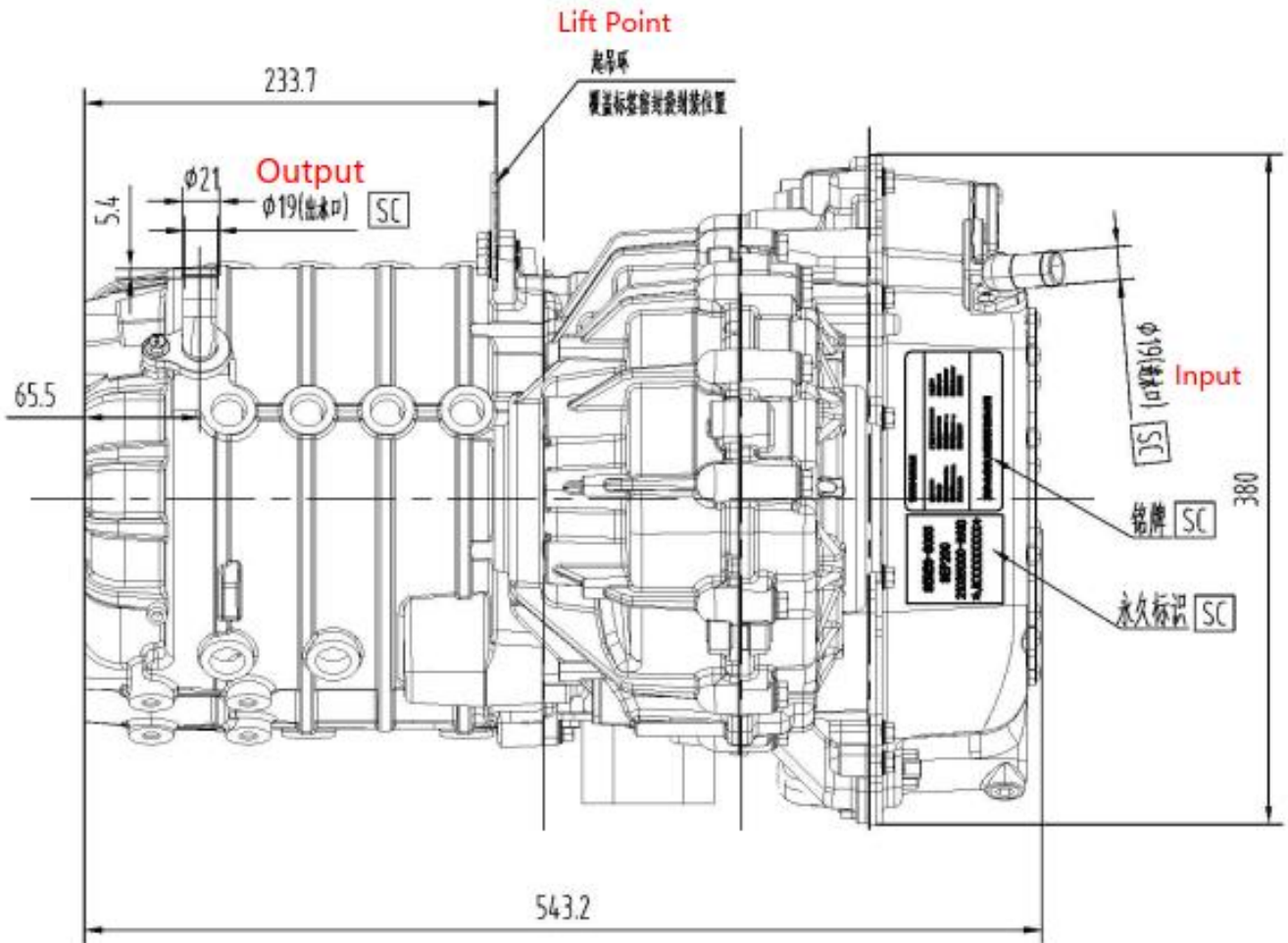
**Weight** 98 kg

**Motor Cooling Medium** Water Glycol

**Inverter Cooling Medium** 50% E.G. / 50% Water

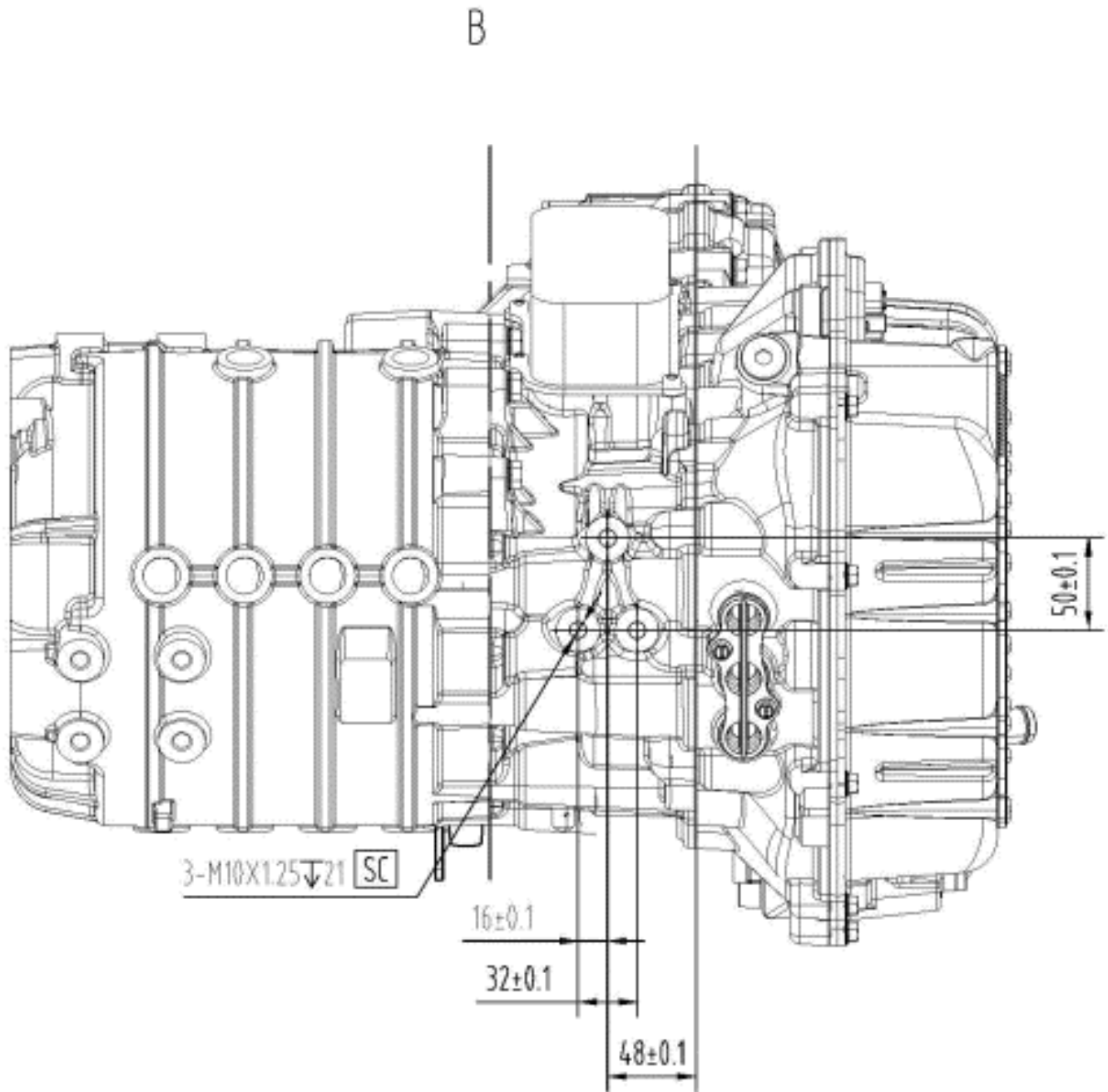


# Front Dimension



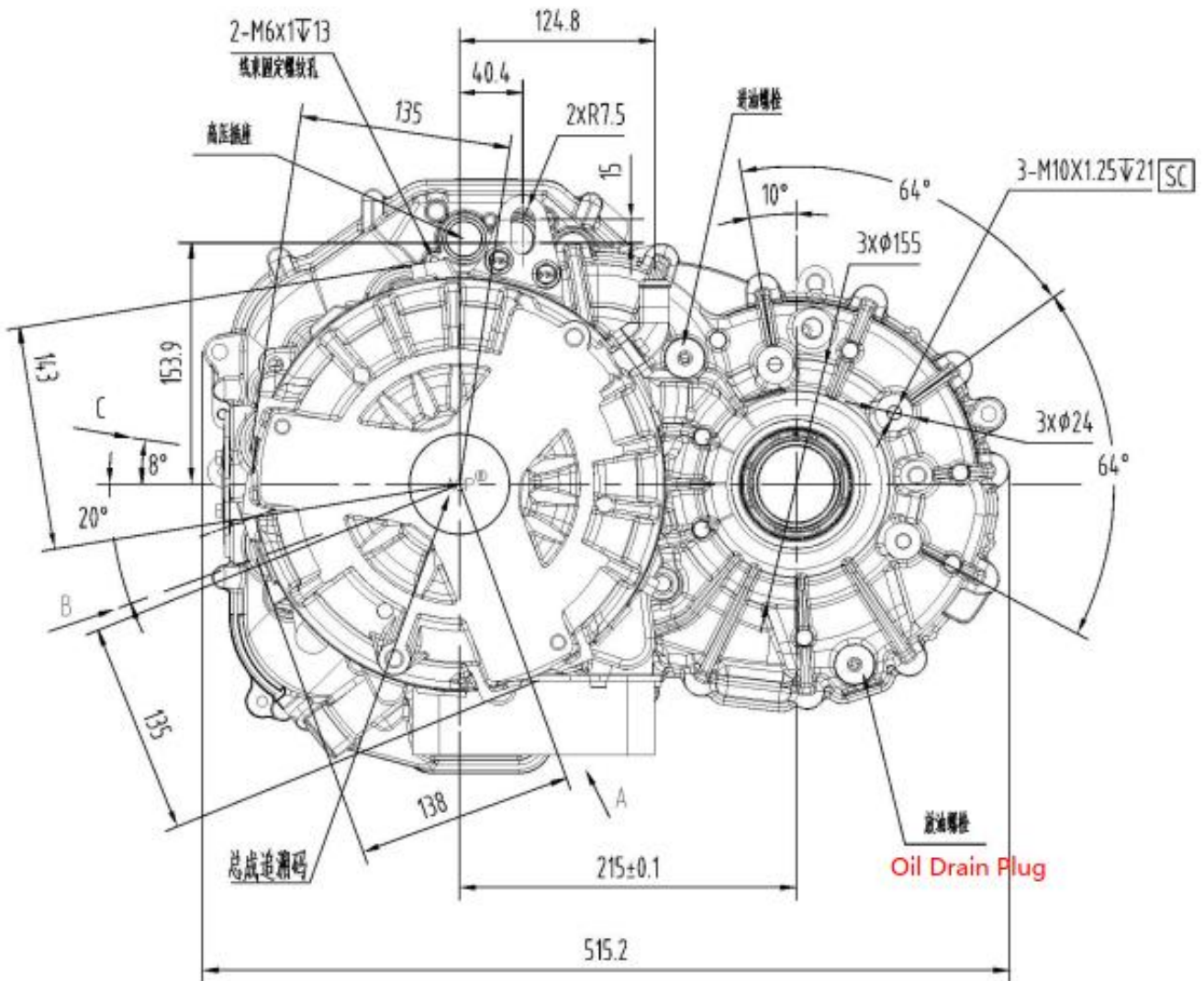


## Rear Dimension



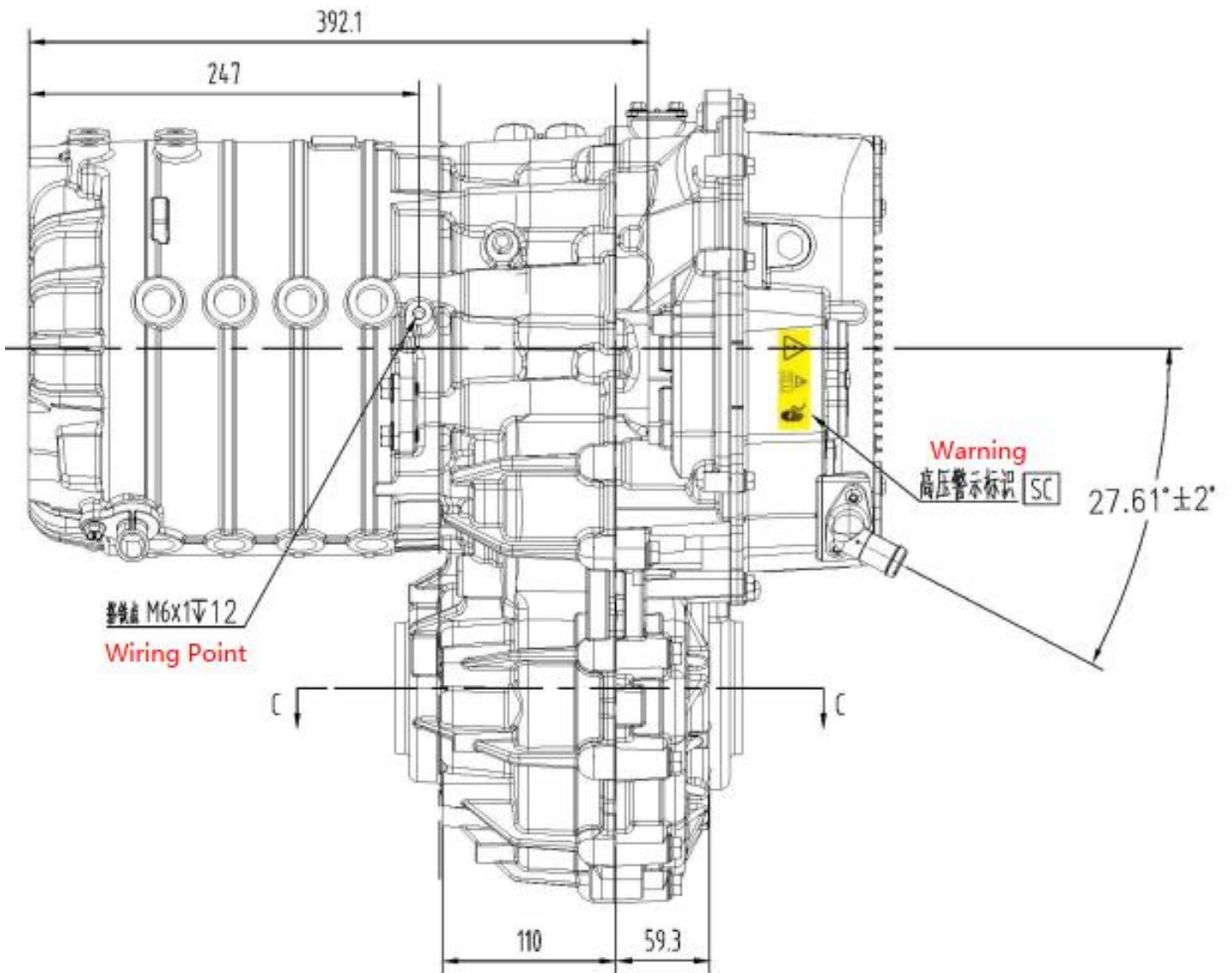


# Left Dimension





# Top Dimension





## REVISION HISTORY

---

Version	Description of Version/Changes	Updated by	Date
1.0	First pass at assembling all relevant information.	Lawson Sumner	11/09/23